

PC-TAIL CIRCULAR CONNECTORS

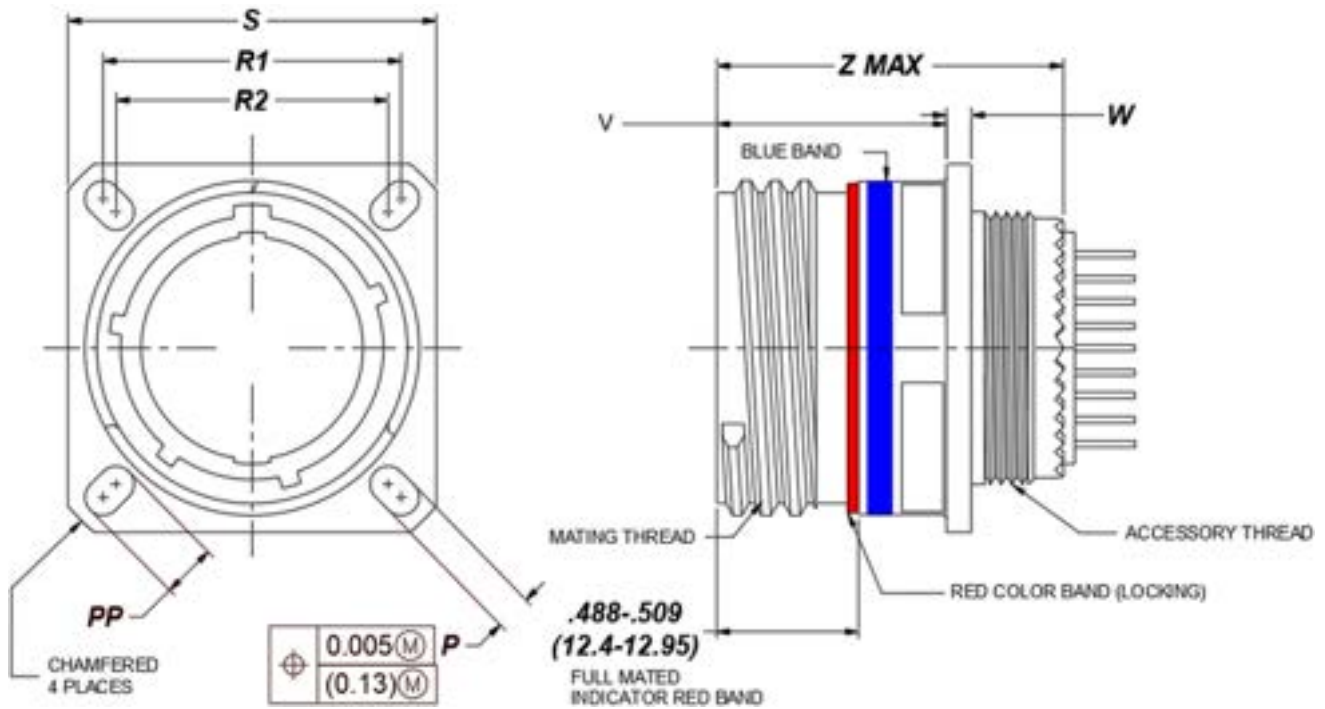
PCB INTERCONNECT SOLUTIONS
HIGH PERFORMANCE APPLICATIONS



Corsair's aerospace grade PCB compatible line of specialty circular connectors are designed to comply with your PCB component specifications.

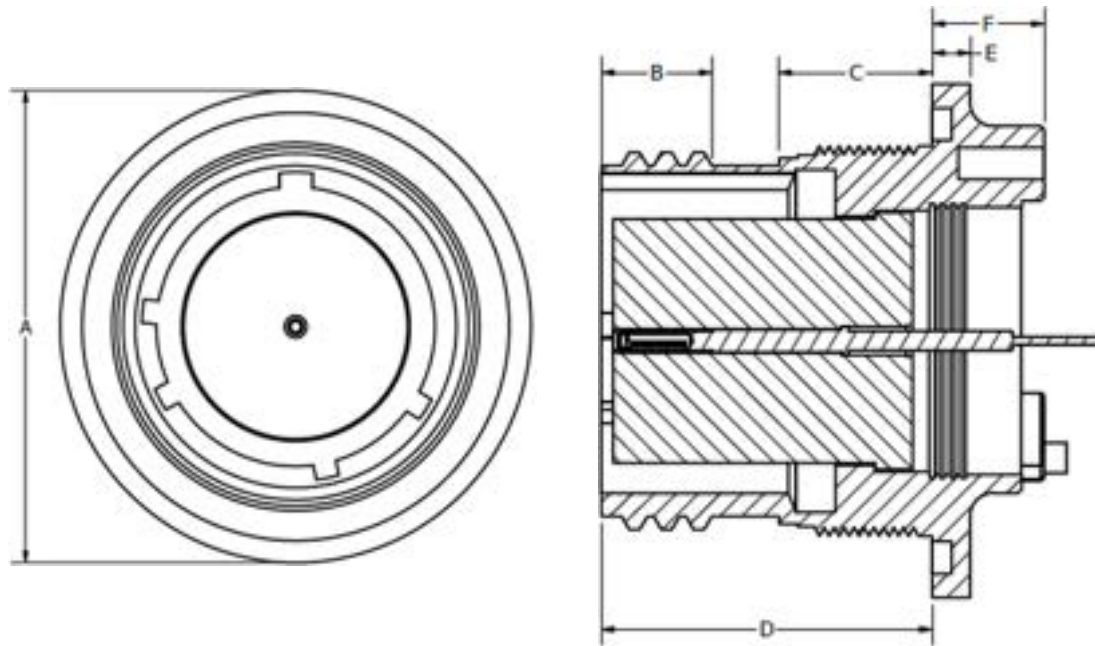
- Environmental & SUTO-Hermetic Options
- M38999 Intermatability Available
- Potted Sealing
- Contact Tin Dipping available

RECEPTACLE, PC-TAIL, BOX MOUNTING FLANGE



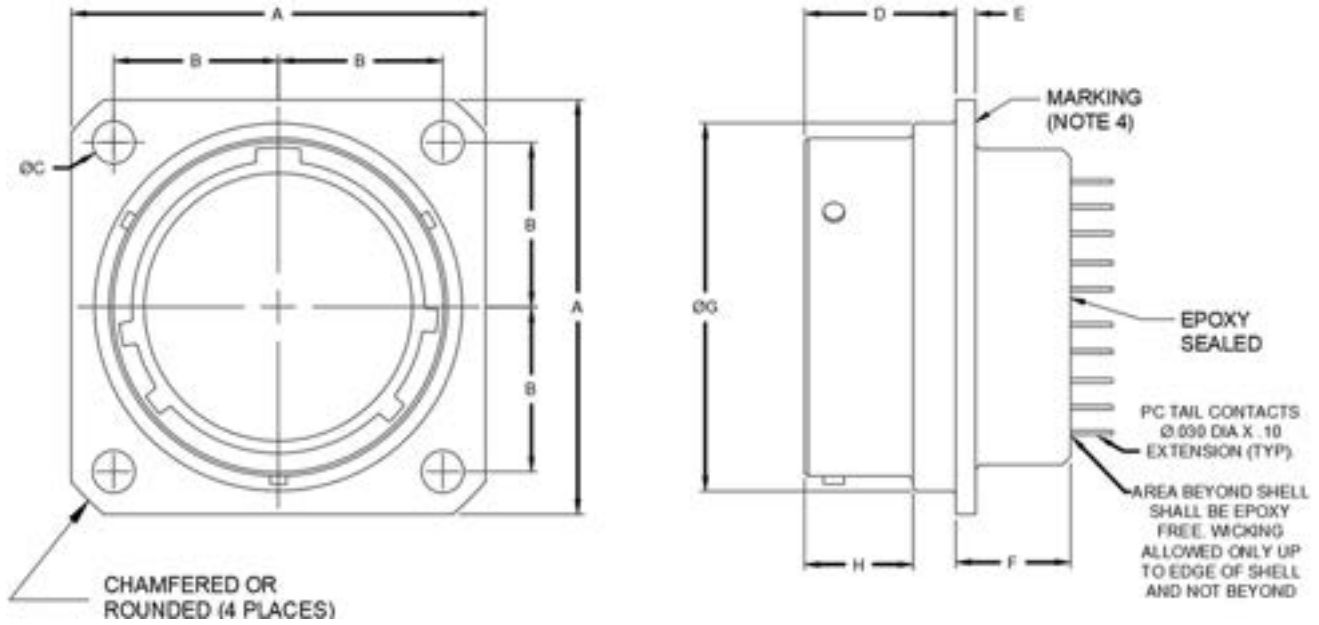
Shell Size	A Max.	B	C Dia. +.010 -0.005	D +.000 -.005	E +.011 -.000	F Max.	G Dia. Max.	H +.000 -.005
8	.828	.297	.120	.447	.058	.250	.547	.322
10	.954	.3595	.120	.447	.058	.250	.672	.322
12	1.047	.406	.120	.447	.058	.250	.844	.322
14	1.141	.453	.120	.447	.058	.250	.969	.322
16	1.234	.4845	.120	.447	.058	.250	1.094	.322
18	1.328	.531	.120	.447	.058	.250	1.219	.322
20	1.453	.578	.120	.447	.058	.250	1.344	.322
22	1.578	.625	.120	.447	.058	.250	1.469	.322
24	1.703	.6875	.147	.447	.058	.250	1.594	.322

RECEPTACLE, PC-TAIL CONTACTS, BOX MOUNT, SUTO-HERMETIC AVAILABLE



SHELL SIZE	A	B ±.031	C	D	E ±.031	F ±.005
09	1.000	.359	.307 MIN	.890 MAX	.102	.300
11	1.125	.359	.307 MIN	.890 MAX	.102	.300
13	1.250	.359	.307 MIN	.890 MAX	.102	.300
15	1.375	.359	.307 MIN	.890 MAX	.102	.300
17	1.550	.359	.307 MIN	.890 MAX	.102	.300
19	1.625	.359	.307 MIN	.890 MAX	.102	.300
21	1.750	.359	.307 MIN	.890 MAX	.102	.300
23	1.875	.359	.307 MIN	.890 MAX	.102	.300
25	2.000	.359	.307 MIN	.890 MAX	.102	.300

RECEPTACLE, PC-TAIL CONTACTS, BOX MOUNT, SUTO-HERMETIC AVAILABLE

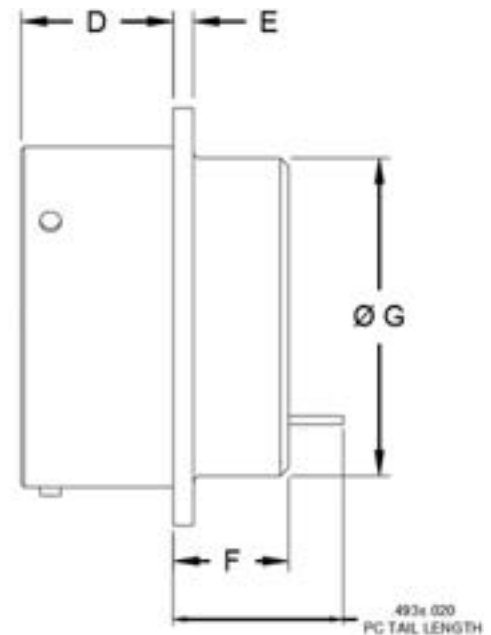
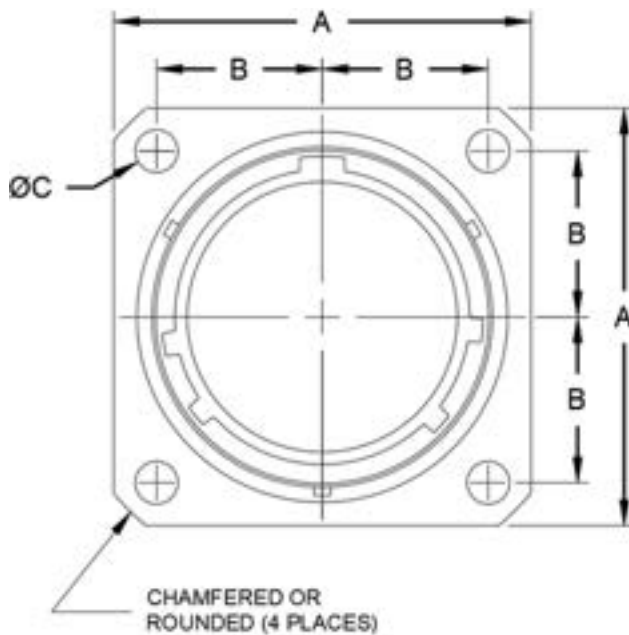


Shell Size	A Max.	B	C Dia. +.010 -0.005	D +.000 -.005	E +.011 -.000	F Max.	G Dia. Max.	H +.000 -.005
8	.828	.297	.120	.447	.058	.250	.547	.322
10	.954	.3595	.120	.447	.058	.250	.672	.322
12	1.047	.406	.120	.447	.058	.250	.844	.322
14	1.141	.453	.120	.447	.058	.250	.969	.322
16	1.234	.4845	.120	.447	.058	.250	1.094	.322
18	1.328	.531	.120	.447	.058	.250	1.219	.322
20	1.453	.578	.120	.447	.058	.250	1.344	.322
22	1.578	.625	.120	.447	.058	.250	1.469	.322
24	1.703	.6875	.147	.447	.058	.250	1.594	.322

RECEPTACLE, PC-TAIL, BACK PANEL, BOX MOUNTING, BAYONET COUPLING



PCB,
BOX MOUNT,
HERMETIC



Shell Size	A ±.020	B	C Dia. +.010 -0.005	D +.000 -.005	E +.015 -.000	F Max.	G Dia. Max.
9	.938	.3595	.128	.820	.085	.100	.547
11	1.031	.406	.128	.820	.085	.100	.656
13	1.125	.453	.128	.820	.085	.100	.828
15	1.219	.4845	.128	.820	.085	.100	.953
17	1.312	.531	.128	.820	.085	.100	1.078
19	1.438	.578	.128	.820	.085	.100	1.203
21	1.562	.625	.128	.790	.115	.100	1.328
23	1.688	.6875	.128	.790	.115	.100	1.453
25	1.812	.750	.147	.790	.115	.100	1.578